

Date: April 6, 2017
To: Kidde Fire Systems Marine HPCO2 Distributors
From: KFS Product Management
Subject: Marine HPCO2 Hose Reel Installation

IMPORTANT INSTALLATION & SERVICE INFORMATION

Please share with your Sales, Design, Purchasing and Installation personnel



Recent feedback from the field and our subsequent investigation found that guidance in our marine HPCO2 manual pertaining to hose reel installations has opportunity for further enhancement.

In the interest of providing this content to you immediately, for your benefit, while we await agency approval of the revised manual, please find attached an extract from the pending manual revision.

If you have any questions or concerns, please contact us at:

Regional Sales Managers:	Domestic Click here or International click here
Vertical Market Managers:	Click here
Inside Sales:	(508)-881-2000 Email: engineered_project_sales@fs.utc.com
Product Management:	(508) 881-2000
Customer Service	(508) 881-2000 Email: Domestic_CS@kidde-fenwal.com Email: International_CS@kidde-fenwal.com
Technical Support:	(866) 287-2531 Email: techsupport@fs.utc.com
Applications Engineering	(508) 881-2000 Email: Kidde_Applications@fs.utc.com

As always, we thank you for your business and continued support.

CHAPTER 5

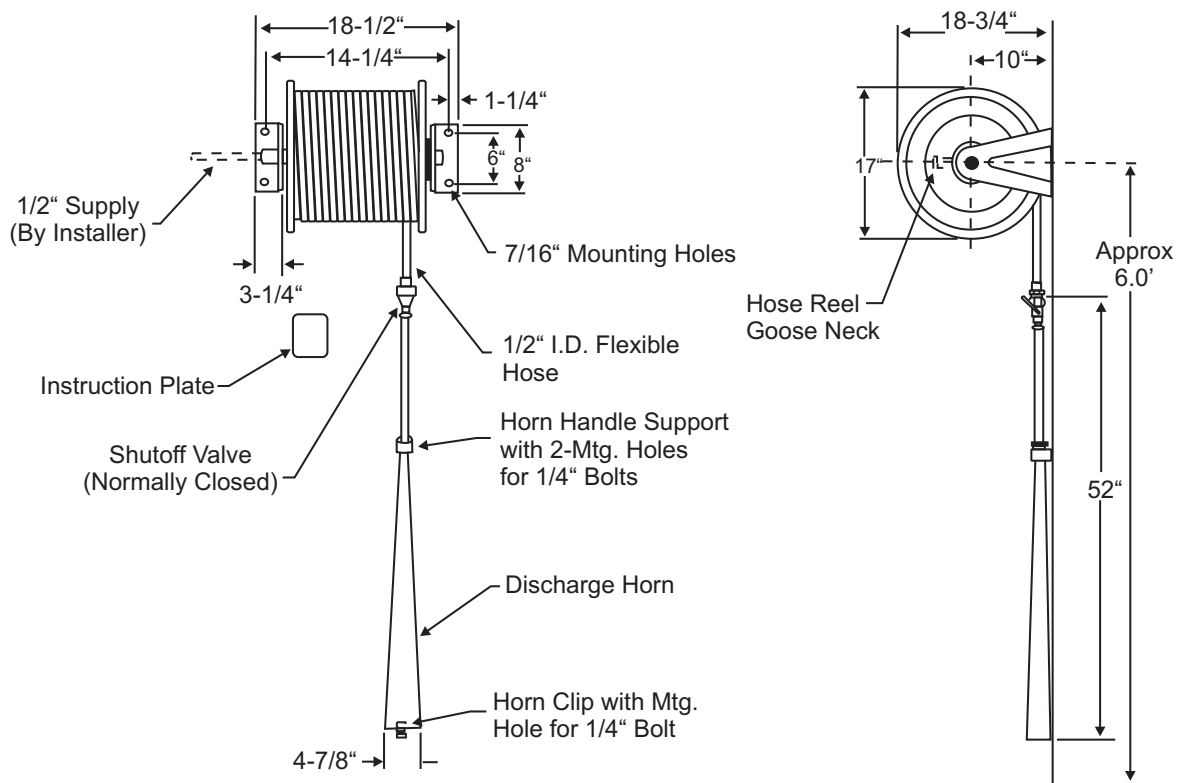
EQUIPMENT INSTALLATION

5-25 HOSE REEL/RACK

Hose reel or rack must be installed in a location where access to the hose and discharge horn is unobstructed. In addition, the hose reel or rack location must allow fire fighting personnel to reach all hazard areas protected by the system, such as fuel pumps, electrical apparatus, etc. with the hose and discharge horn.

Install the hose rack or reel system as follows and assemble factory furnished components using smooth jawed wrenches:

1. Mount the hose rack or reel with clearances for hose & horn allowed as shown in Figures 5-13 and 5-14.
 - a. Rack provided with 4 x 0.406-in diameter mounting holes.
 - b. Reel provided with 3 x 0.563-in diameter mounting holes.



NOTE:

Reel is usually mounted with hose unwinding from back & supply line on left side. If supply is to come from the right tighten gooseneck one half turn.

Figure 5-13. Installation Detail, Typical Reel System

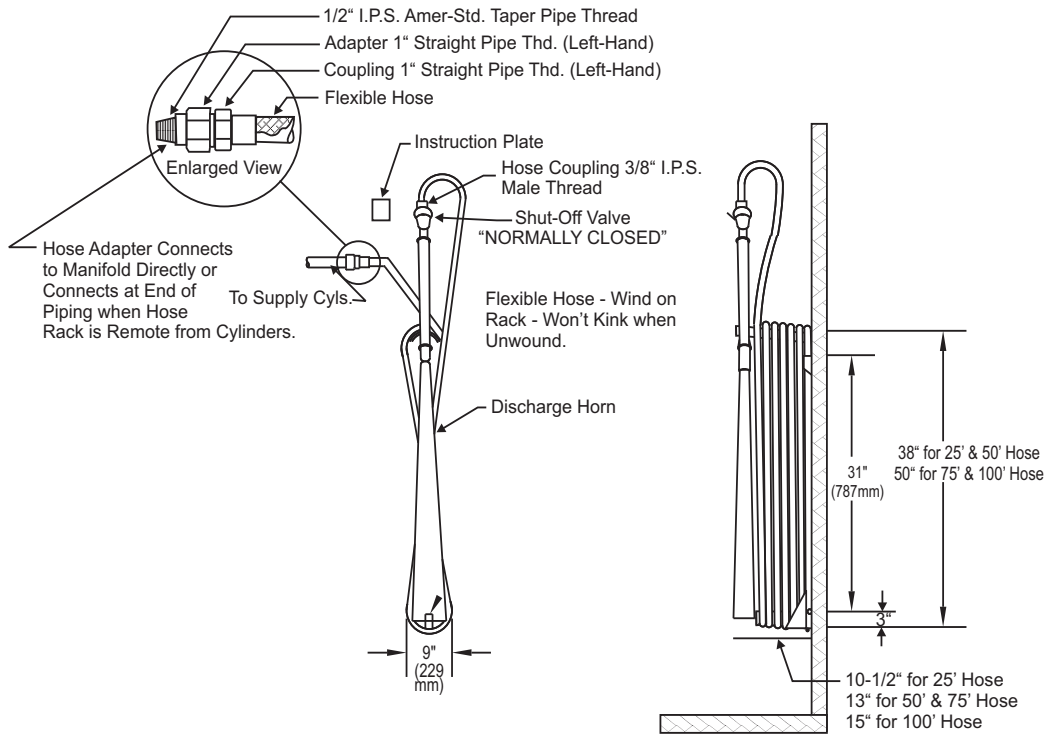


Figure 5-14. Installation Detail, Typical Hose Rack System

2. Start the coupling nut (P/N WK-909000-000) onto the 1" NPSM right hand outlet connection from the hose reel by $\frac{1}{2}$ to $\frac{3}{4}$ of a turn.
 - a. No joint sealant is required.
 - b. No outlet connection factory furnished with the rack.
3. Insert the inlet fitting on the hose line into the 1" NPSM left hand connection from the outlet side of the coupling nut.
 - a. See Figure 5-15.

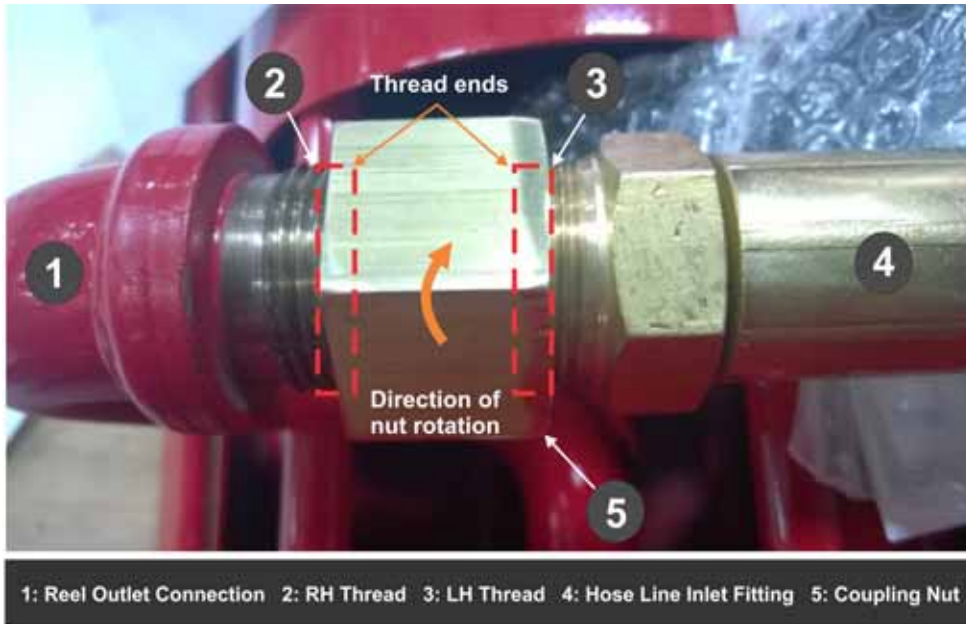


Figure 5-15. Pre-Assembly of Coupling, Reel/Rack Connection and Inlet Fitting to the Hose Line

4. Hold the hose fitting stationary and turn the coupling nut as required to bring the hose fitting and reel together.
 - a. Continue turning the coupling nut until it stops (indicating that the faces of the reel fitting and hose fitting have made contact). Snug the joint by turning the coupling up to $\frac{1}{4}$ of a turn past this point.
 - b. See Figure 5-16.



The reel, coupling nut and hose line inlet fitting shall be properly installed. Failure to follow these instructions could result in serious bodily injury, death, or property damage.

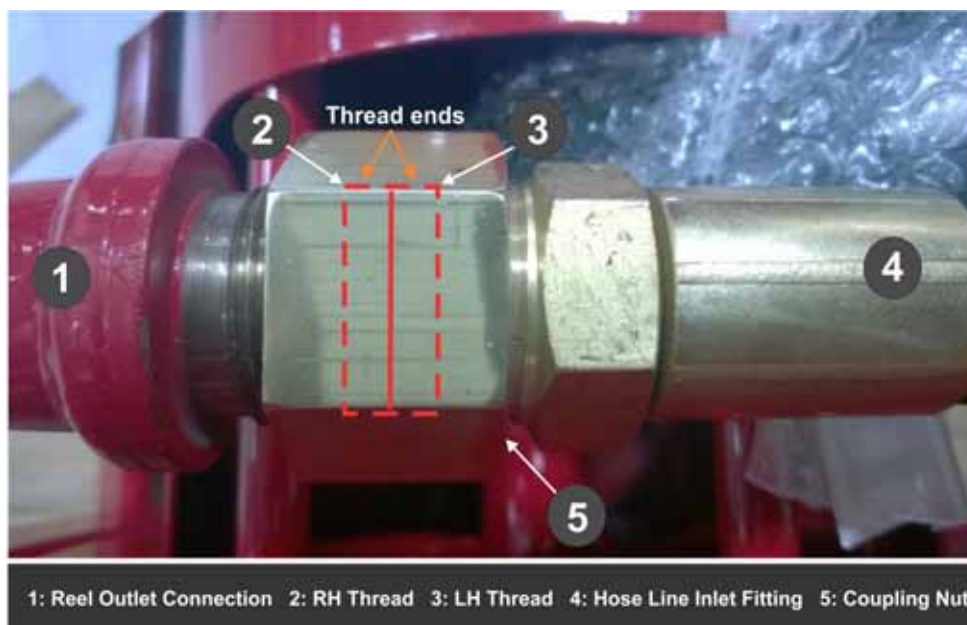


Figure 5-16. Post-Assembly of Coupling, Reel/Rack Connection and Inlet Fitting to the Hose Line

5. Affix crank onto reel.
6. Connect hose lines as required per installation drawings.
7. Spool the hose line onto the reel or rack.
8. Connect the horn securely onto the outlet fitting on the hose line. Place horn in the mounting clips provided. The temporary shutoff on the horn must be in the CLOSED position.
Reference applicable requirements in this manual and the installation drawings for each subsequent step.
9. Affix distribution piping onto the 1" NPT inlet connection on the reel.
 - a. No inlet connection factory furnished with the rack.
10. Attach discharge flexible hose to the distribution piping.
11. Attach the cylinder discharge head to the flex hose.
12. Install cylinders and securement (straps/racks).
 - a. Set the cylinder in place, leaving protection cap in place.
 - b. Turn cylinder so the safety outlet is facing the bulkhead.
 - c. Tighten cylinder strap bolts securely.

13. Install actuation arrangement and corresponding control heads
 - a. Remove protection cap from cylinder valve.
 - b. Remove top and side protection caps from the cylinder valve.



Before installing control head on the carbon dioxide cylinder valve, ensure that the control head is in "Set" position (actuating pin is in the fully retracted or "Set position). Failure to position control head in the "Set" position will result in accidental carbon dioxide cylinder discharge when the control head is installed on the cylinder valve.

14. Attach discharge head onto the cylinder valve.